



F.E.V. CONTROL BOX INSTRUCTIONS

The Control Box is supplied with 3 cables. One of these is terminated with a 3-pin plug for connection to the Remote Gas Charge Cartridge on remote systems or the Firing Head on pressurised systems. The other 2 cables are not terminated and are for connection to the External and Internal Control Button Switches. Either cable can be connected to either type of switch.

Setting Up The System

On the control box a 3-position switch selects the function with centre being OFF.

The up position is TEST and down position ARM.

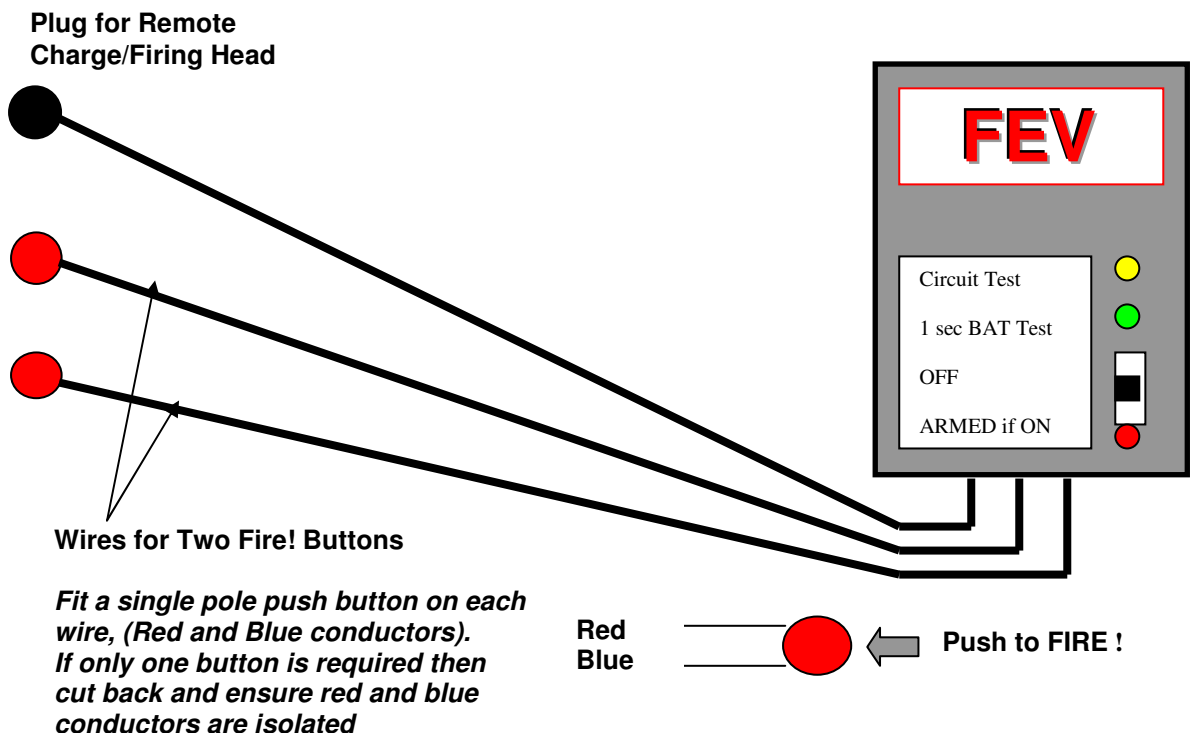
Switch to the test position.

Observe that the GREEN LED comes ON for about 1 second and then goes OFF. This signifies a good battery, if the GREEN LED fails to come ON then the PP3 battery must be exchanged for a new one.

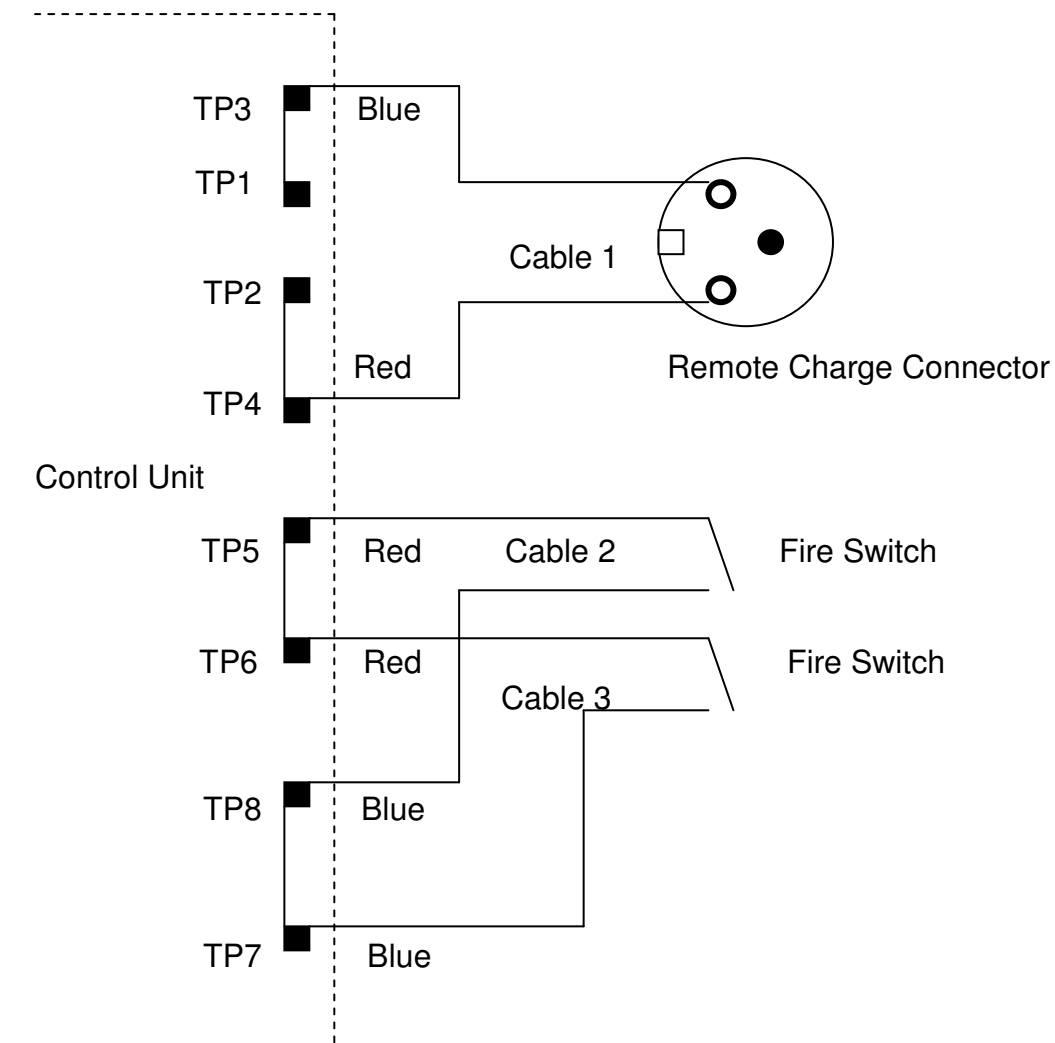
At the same time the YELLOW LED should be ON. If the FIRE BUTTON is now pressed the yellow led will go OFF signifying a good circuit.

Switch To The Armed Position

In the armed position and if the system is ready then the RED LED will be ON. If either the wiring or firing detonator is faulty or the detonator is either not there or has already fired, then the LED will not light. There are two 1.2 Metre wires coming from the unit, either or both should be connected to firing push button switches of the users choice. Making the circuit between the two wires, coloured red and blue WILL cause the extinguisher to FIRE.



FEV Control Box Wiring



Remote Charge Metron Information

Internal Resistance = 7 to 12 ohms

All Fire Current = 120 mA

No Fire Current = 45 mA