



MANUFACTURER: FEV
 MODEL: F-TEC3500EK
 HOM. NO: EX.062.19
 FIA STANDARD: Technical List 16

FIRE SUPPRESSION

SALES DATA SHEET

Electrical Plumbed-In 6 Nozzle AFFF Extinguisher – Steel Cylinder

Model Number: F-TEC3500EK

FIA - TECHNICAL LIST 16



Installation Kit Contents:

- 1 x Bracket and 'T' Bolt Straps
- 1 x Control Box
- 1 x Internal Fire Button
- 1 x External Fire Button
- 4.7 mtr x 10mm Aluminium Tubing
- 4.3 mtr x 8mm Aluminium Tubing
- 2 x Cockpit Nozzle with 10mm x ¼ metal Swivel Elbow
- 4 x Engine Nozzle with 8mm x ¼ metal Swivel Tee Connector
- 1 x Metal Tee Connector 10-10
- 1 x Metal Tee Connector 10MM-8MM
- 1 x Metal Y Connector 10mm
- 8 x 8mm Tube Clips
- 8 x 10 mm Tube Clips
- 1 x Large 'E' Label
- 1 x Small 'E' Label
- 1 x Instructions

Part Number	100.000.069.S
Capacity	3.5 ltr
Weight Including Cradle	6.225kg
Weight cylinder only	5.82kg
Activated	Electrical
Pressure	Pressurised
Cylinder	Steel

PLEASE SEE OVER FOR DIMENSIONAL DRAWINGS

Fire Extinguisher Valve Co Ltd

Unit B3 Ford Airfield Industrial Estate, Ford, Nr Arundel, West Sussex BN18 0HY

Tel +44 (0) 1243 55 55 66 Fax +44 (0) 1243 555 660

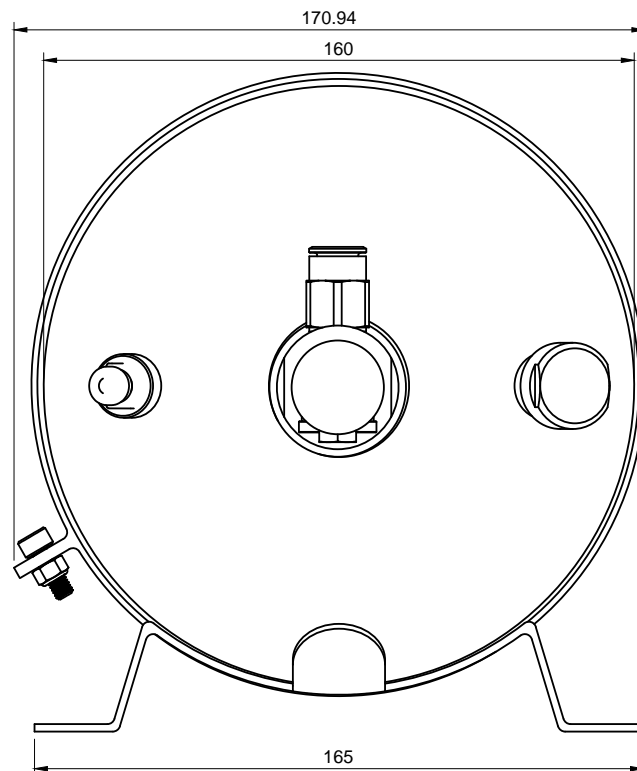
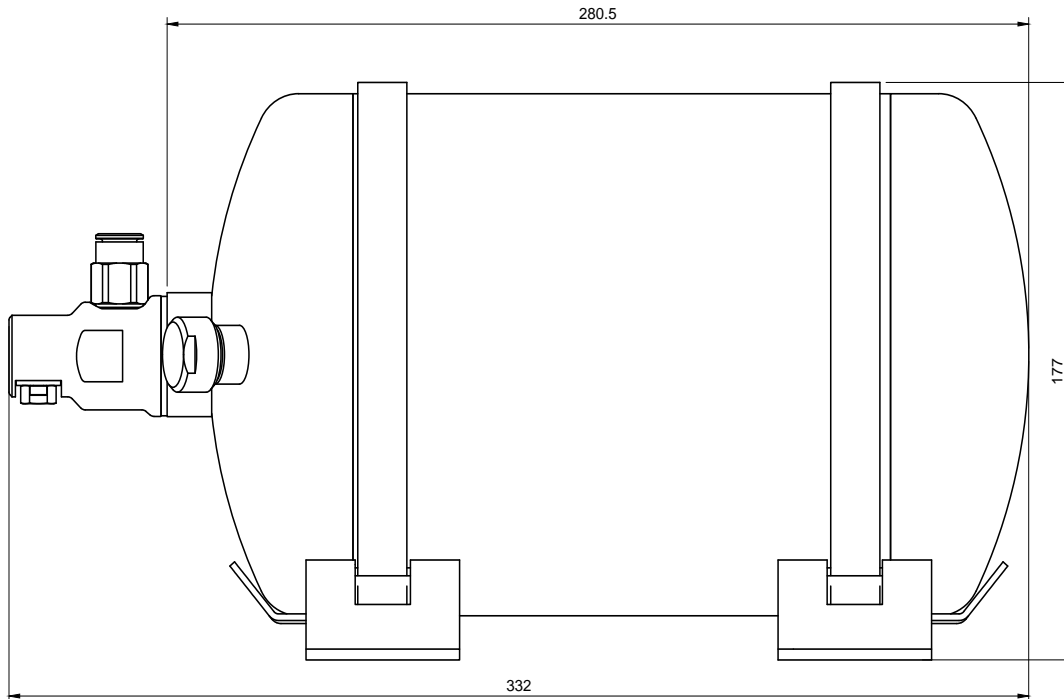
Email sales@f-e-v.co.uk Web www.f-e-v.co.uk

SALES DATA SHEETS 2020/FOAM PLUMBED IN/F-TEC/F-TEC3500EK – Version 1 – June 2020



FIRE SUPPRESSION

F-TEC3500EK



Fire Extinguisher Valve Co Ltd

Unit B3 Ford Airfield Industrial Estate, Ford, Nr Arundel, West Sussex BN18 0HY

Tel +44 (0) 1243 55 55 66 Fax +44 (0) 1243 555 660

Email sales@f-e-v.co.uk Web www.f-e-v.co.uk

SALES DATA SHEETS 2020/FOAM PLUMBED IN/F-TEC/F-TEC3500EK – Version 1 – June 2020