



FIRE SUPPRESSION



MANUFACTURER: FEV
MODEL: F-TEC4000EK
HOM. NO: EX.062.19
FIA STANDARD: Technical List 16

SALES DATA SHEET

Electrical Plumbed-In 6 Nozzle AFFF Extinguisher

Model Number: F-TEC4000EK

FIA - TECHNICAL LIST 16



Installation Kit

Contents:

- 1 x Bracket and 'T' Bolt Straps
- 1 x Control Box
- 1 x Internal Fire Button
- 1 x External Fire Button
- 4.7 mtr x 10mm Aluminium Tubing
- 4.3 mtr x 8mm Aluminium Tubing
- 2 x Cockpit Nozzle with 10mm x 1/4 metal Swivel Elbow
- 4 x Engine Nozzle with 8mm x 1/4 metal Swivel Tee Connector
- 1 x Metal Tee Connector 10-10
- 1 x Metal Tee Connector 8mm-10mm
- 1 x Metal Y Connector 10mm
- 8 x 8mm Tube Clips
- 8 x 10 mm Tube Clips
- 1 x Large 'E' Label
- 1 x Small 'E' Label
- 1 x Instructions

	100.000.077.S
Capacity	4.0 ltr
Weight Including Cradle	6.915kg
Weight cylinder only	6.51kg
Activated	Electrical
Pressure	Pressurised
Cylinder	Steel

PLEASE SEE OVER FOR DIMENSIONAL DRAWINGS

Fire Extinguisher Valve Co Ltd

Unit B3 Ford Airfield Industrial Estate, Ford, Nr Arundel, West Sussex BN18 0HY

Tel +44 (0) 1243 55 55 66 Fax +44 (0) 1243 555 660

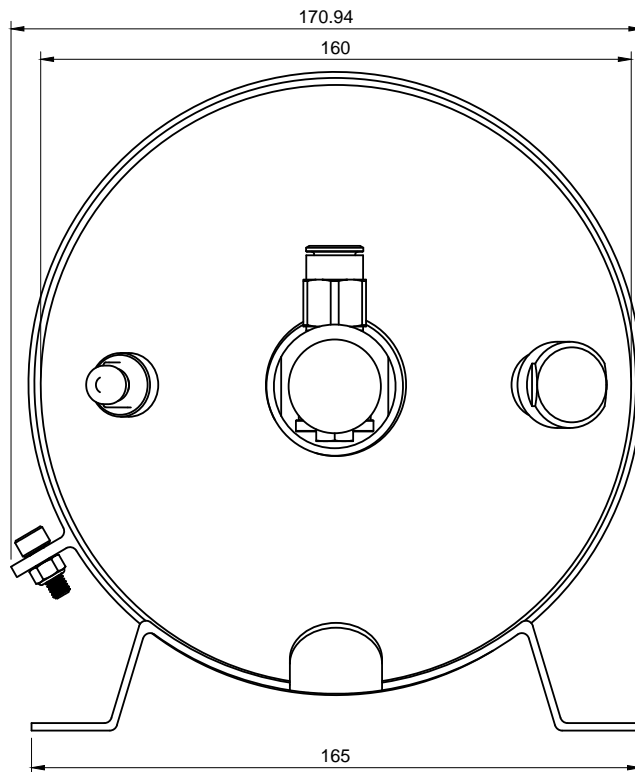
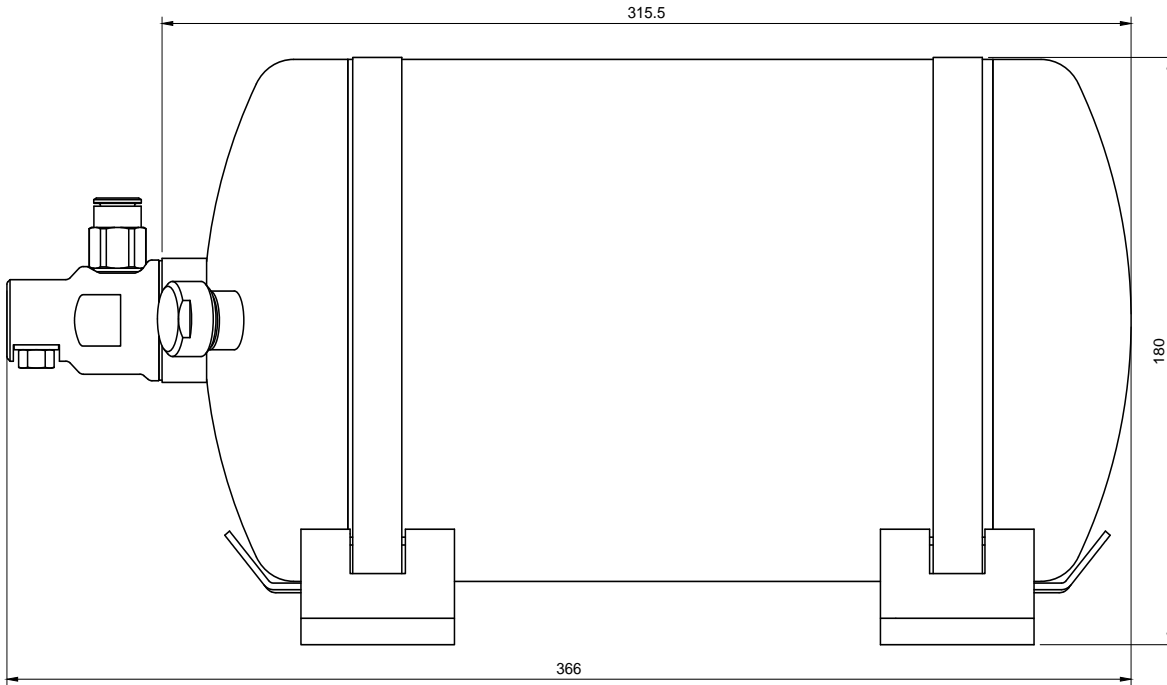
Email sales@f-e-v.co.uk Web www.f-e-v.co.uk

SALES DATA SHEETS 2020/FOAM PLUMBED IN/F-TEC/ F-TEC4000EK – Version 1 – June 2020



FIRE SUPPRESSION

F-TEC4000EK



Fire Extinguisher Valve Co Ltd

Unit B3 Ford Airfield Industrial Estate, Ford, Nr Arundel, West Sussex BN18 0HY

Tel +44 (0) 1243 55 55 66 Fax +44 (0) 1243 555 660

Email sales@f-e-v.co.uk Web www.f-e-v.co.uk

SALES DATA SHEETS 2020/FOAM PLUMBED IN/F-TEC/ F-TEC4000EK – Version 1 – June 2020