



MANUFACTURER: FEV
 MODEL: F-TEC4000MK
 HOM. NO: EX.061.19
 FIA STANDARD: Technical List 16

FIRE SUPPRESSION

SALES DATA SHEET

Mechanical Plumbed-In 6 Nozzle AFFF Extinguisher – Steel Cylinder

Model Number: F-TEC4000MK

FIA - TECHNICAL LIST 16



Installation Kit Contents:

- 1 x Bracket and 'T' Bolt Straps
- 1 x Pull Cable 12ft
- 1 x Pull Cable 6ft
- 1 x Pair of Cable Nipples
- 4.7 mtr x 10mm Aluminium Tubing
- 4.3 mtr x 8mm Aluminium Tubing
- 2 x Cockpit Nozzle with 10mm x ¼ metal Straight Connector
- 4 x Engine Nozzle with 8mm x ¼ metal Swivel Tee Connector
- 1 x Metal Tee Connector 10-10
- 1 x Metal Tee Connector 10MM-8MM
- 1 x Metal Y Connector 10mm
- 8 x 8mm Tube Clips
- 8 x 10 mm Tube Clips
- 1 x Large 'E' Label
- 1 x Small 'E' Label
- 1 x Instructions

Part Number	100.000.073.S
Capacity	4.0 ltr
Weight Including Cradle	7.665kg
Weight cylinder only	6.66kg
Activated	Mechanical
Pressure	Pressurised
Cylinder	Steel

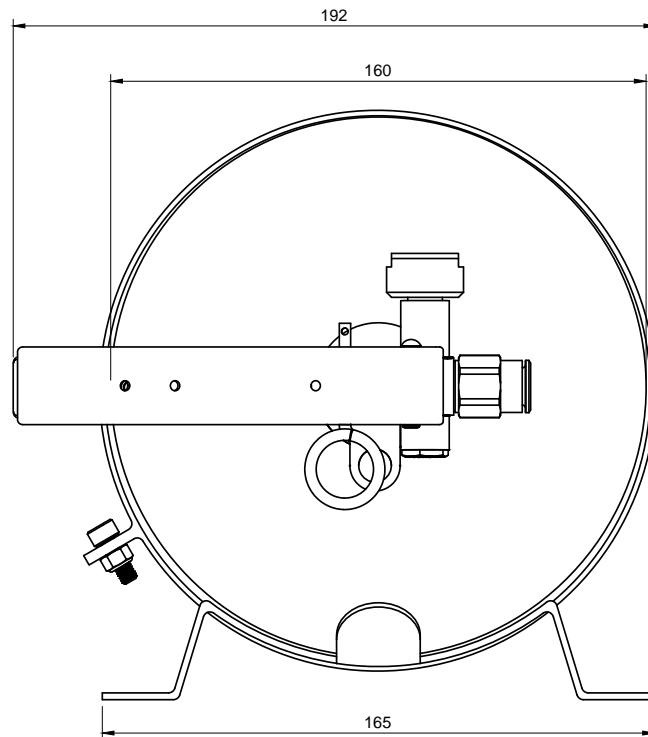
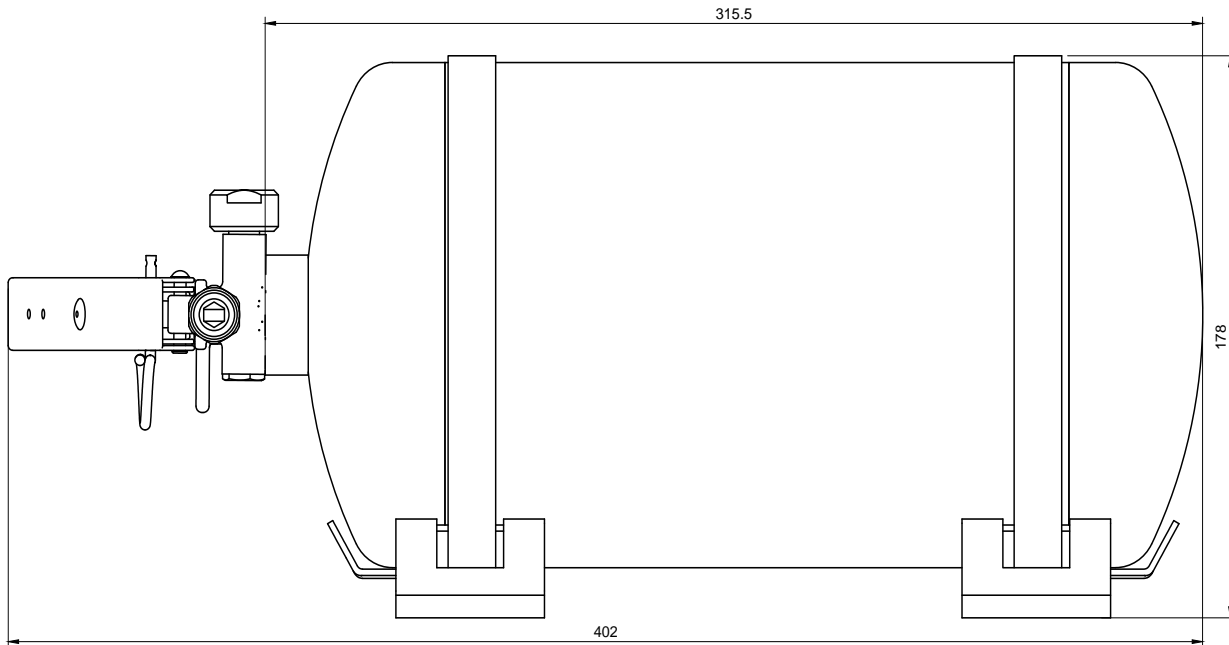
PLEASE SEE OVER FOR DIMENSIONAL DRAWINGS

Fire Extinguisher Valve Co Ltd
 Unit B3 Ford Airfield Industrial Estate, Ford, Nr Arundel, West Sussex BN18 0HY
 Tel +44 (0) 1243 55 55 66 Fax +44 (0) 1243 555 660
 Email sales@f-e-v.co.uk Web www.f-e-v.co.uk
 SALES DATA SHEETS 2020/FOAM PLUMBED IN/F-TEC/ F-TEC4000MK -Version 1 – June 2020



FIRE SUPPRESSION

F-TEC4000MK



Fire Extinguisher Valve Co Ltd
Unit B3 Ford Airfield Industrial Estate, Ford, Nr Arundel, West Sussex BN18 0HY
Tel +44 (0) 1243 55 55 66 Fax +44 (0) 1243 555 660
Email sales@f-e-v.co.uk Web www.f-e-v.co.uk
SALES DATA SHEETS 2020/FOAM PLUMBED IN/F-TEC/ F-TEC4000MK -Version 1 – June 2020