



MANUFACTURER: FEV  
 MODEL: N-TEC2250MK  
 HOM. NO: EX.059.19  
 FIA STANDARD: Technical List 16

## FIRE SUPPRESSION

### SALES DATA SHEET

Mechanical Plumbed-In 6 Nozzle Novec 1230 Gas Extinguisher

Model Number: N-TEC2250MK

FIA - TECHNICAL LIST 16



#### Installation Kit Contents:

- 1 x Bracket and 'T' Bolt Straps
- 1 x Pull Cable 12ft
- 1 x Pull Cable 6ft
- 1 x Pair of Cable Nipples
- 7 mtr x 10mm Aluminium Tubing
- 2 x Cockpit Nozzle with 10mm x 1/4 metal Straight Connector
- 4 x Engine Nozzle with 10mm x 1/4 metal Swivel Tee Connector
- 2 x Metal Tee Connector 10-10
- 1 x Metal Y Connector 10mm
- 10 x Tube Clips
- 1 x Large 'E' Label
- 1 x Small 'E' Label
- 1 x Instructions

Part Number	100.000.138
Capacity	2.25kg
Weight Including Cradle	4.12kg
Weight cylinder only	3.76kg
Activated	Mechanical
Pressure	Pressurised
Cylinder	Aluminium

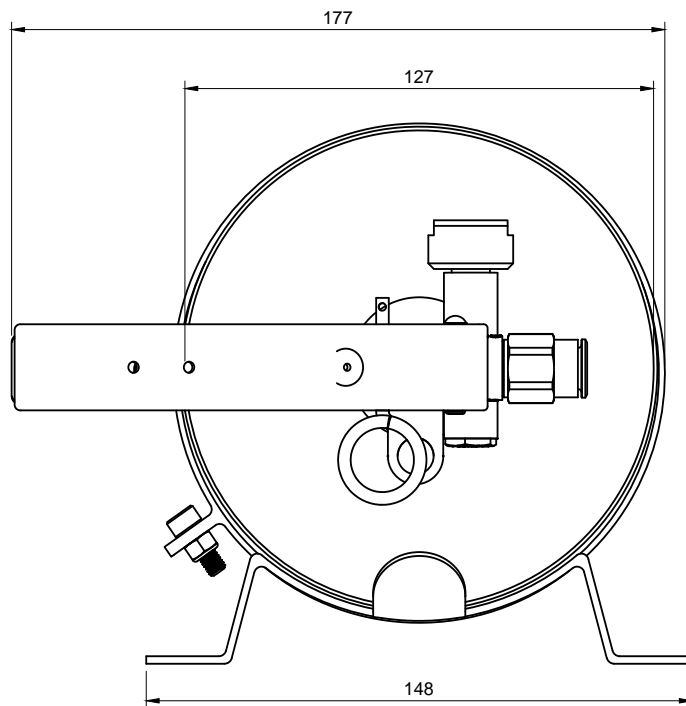
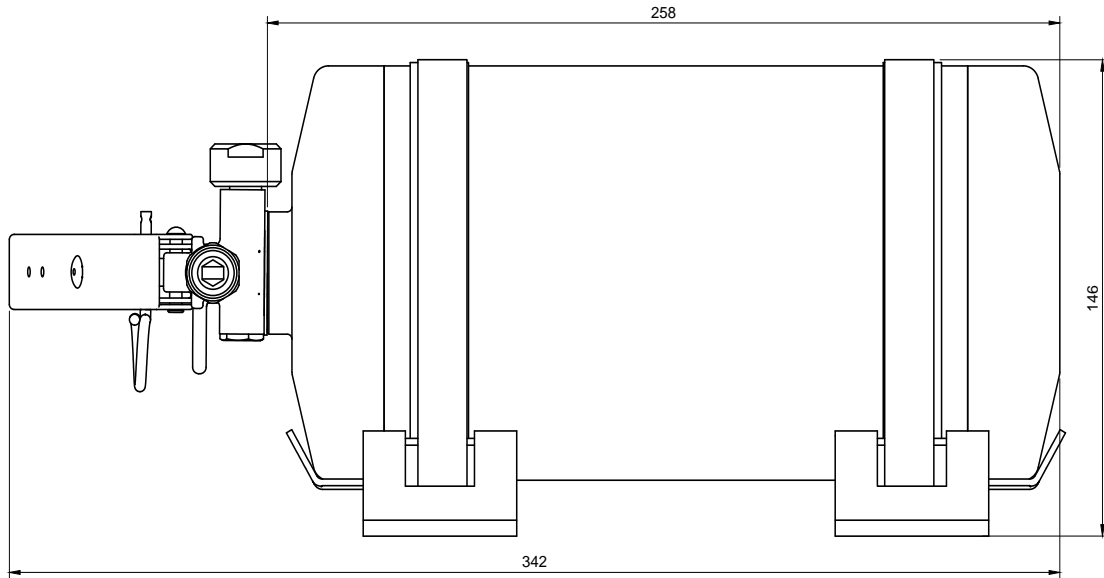
**PLEASE SEE OVER FOR DIMENSIONAL DRAWINGS**

Fire Extinguisher Valve Co Ltd  
 Unit B3 Ford Airfield Industrial Estate, Ford, Nr Arundel, West Sussex BN18 0HY  
 Tel +44 (0) 1243 55 55 66 Fax +44 (0) 1243 555 660  
 Email [sales@f-e-v.co.uk](mailto:sales@f-e-v.co.uk) Web [www.f-e-v.co.uk](http://www.f-e-v.co.uk)  
 SALES DATA SHEETS 2020/GAS PLUMBED IN/ N-TEC2250MK – Version 1 – June 2020



## FIRE SUPPRESSION

N-TEC2250MK



Fire Extinguisher Valve Co Ltd  
Unit B3 Ford Airfield Industrial Estate, Ford, Nr Arundel, West Sussex BN18 0HY  
Tel +44 (0) 1243 55 55 66 Fax +44 (0) 1243 555 660  
Email [sales@f-e-v.co.uk](mailto:sales@f-e-v.co.uk) Web [www.f-e-v.co.uk](http://www.f-e-v.co.uk)  
SALES DATA SHEETS 2020/GAS PLUMBED IN/ N-TEC2250MK – Version 1 – June 2020