



## FIRE SUPPRESSION

### SALES DATA SHEET

0.9LTR AFFF Foam Handheld Extinguisher

Model Number: FE900HH, FE900HH-SILVER and FE900HH-BLACK



**Installation Kit Contents: 1 x Wire Bracket, 2 x Stainless Steel Straps**

Model Number FE900HH	Part Number 100.200.001
Model Number FE900HH-SILVER	Part Number 100.200.003
Model Number FE900HH-BLACK	Part Number 100.200.004
Content	AFFF (Foam)
Capacity	0.9 Ltr
Size (w x d x h)	80 x 87 x 330
Pressure	9 Bar
Cylinder	Aluminium

Fire Extinguisher Valve Co Ltd

Unit B3 Ford Airfield Industrial Estate, Ford, Nr Arundel, West Sussex BN18 0HY

Tel +44 (0) 1243 55 55 66 Fax +44 (0) 1243 555 660

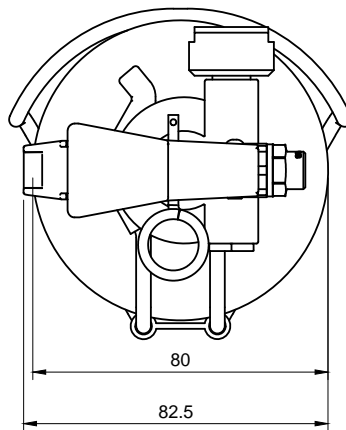
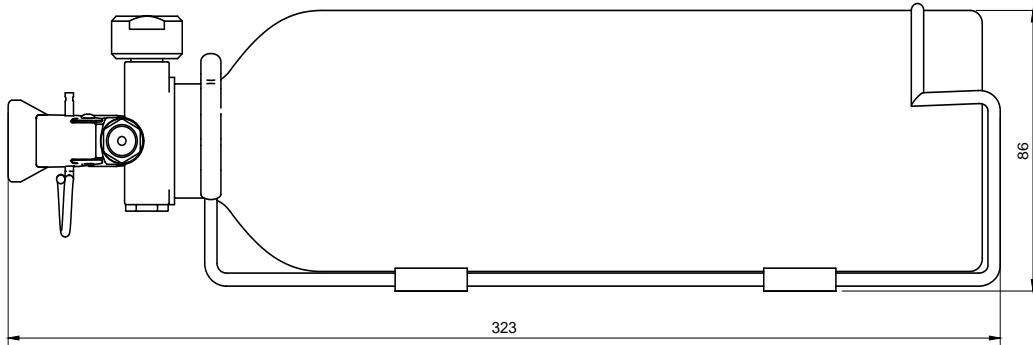
Email [sales@f-e-v.co.uk](mailto:sales@f-e-v.co.uk) Web [www.f-e-v.co.uk](http://www.f-e-v.co.uk)

SALES DATA SHEETS 2020/FOAM HAND HELD/ 0.9Ltr AFFF Handheld - Version 1 – June 2020



**FIRE SUPPRESSION**

FE900HH



Fire Extinguisher Valve Co Ltd  
Unit B3 Ford Airfield Industrial Estate, Ford, Nr Arundel, West Sussex BN18 0HY  
Tel +44 (0) 1243 55 55 66 Fax +44 (0) 1243 555 660  
Email [sales@f-e-v.co.uk](mailto:sales@f-e-v.co.uk) Web [www.f-e-v.co.uk](http://www.f-e-v.co.uk)  
SALES DATA SHEETS 2020/FOAM HAND HELD/ 0.9Ltr AFFF Handheld - Version 1 – June 2020