



FIRE SUPPRESSION

SALES DATA SHEET

1.75LTR AFFF Foam Handheld Extinguisher

Model Number: FE175HH



Installation Kit Contents: 1 x Wire Bracket, 2 x Stainless Steel Straps

Model Number	FE175HH
Part Number	100.200.008
Content	AFFF (Foam)
Capacity	1.75Ltr
Size (w x d x h)	105x115x400
Pressure	9 Bar
Cylinder	Aluminium

Fire Extinguisher Valve Co Ltd

Unit B3 Ford Airfield Industrial Estate, Ford, Nr Arundel, West Sussex BN18 0HY

Tel +44 (0) 1243 55 55 66 Fax +44 (0) 1243 555 660

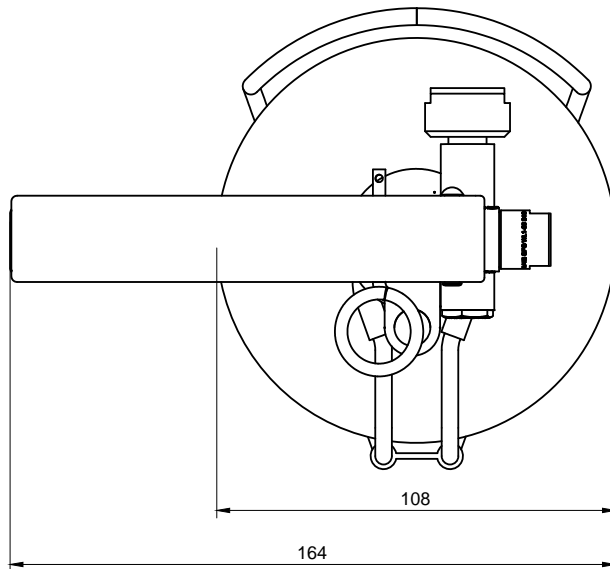
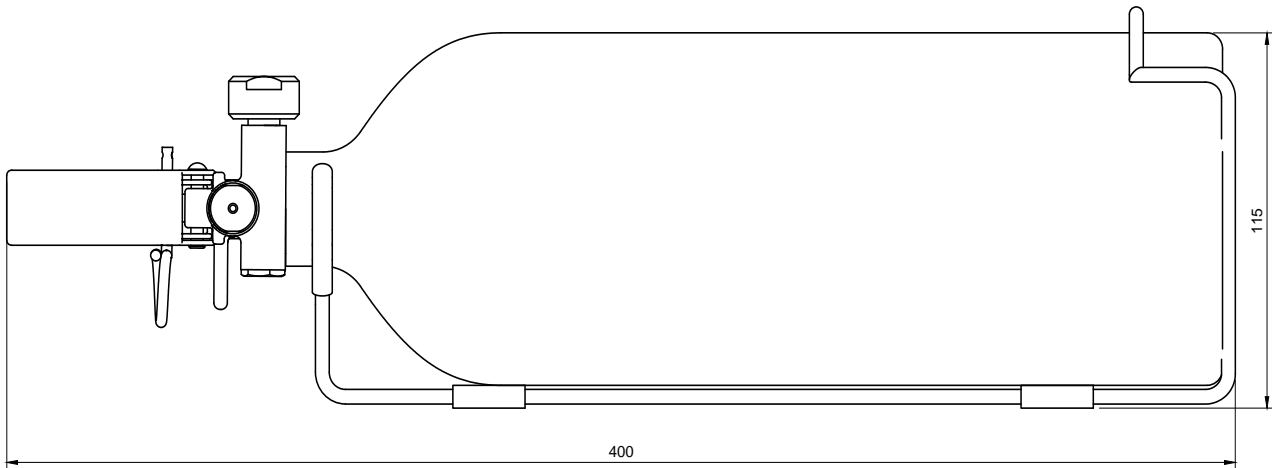
Email sales@f-e-v.co.uk Web www.f-e-v.co.uk

SALES DATA SHEETS 2020/ FOAM HAND HELD / 1.75Ltr AFFF Handheld - Version 1 – June 2020



FIRE SUPPRESSION

FE175HH



Fire Extinguisher Valve Co Ltd
Unit B3 Ford Airfield Industrial Estate, Ford, Nr Arundel, West Sussex BN18 0HY
Tel +44 (0) 1243 55 55 66 Fax +44 (0) 1243 555 660
Email sales@f-e-v.co.uk Web www.f-e-v.co.uk
SALES DATA SHEETS 2020/ FOAM HAND HELD / 1.75Ltr AFFF Handheld - Version 1 – June 2020