



FIRE SUPPRESSION

SALES DATA SHEET

2.4LTR AFFF Foam Handheld Extinguisher

Model Number: FE240HH



Installation Kit Contents: 1 x Wire Bracket, 2 x Stainless Steel Straps

Model Number	FE240HH
Part Number	100.200.027
Content	AFFF (Foam)
Capacity	2.4Ltr
Size (w x d x h)	105x115x463
Pressure	9 Bar
Cylinder	Aluminium

Fire Extinguisher Valve Co Ltd

Unit B3 Ford Airfield Industrial Estate, Ford, Nr Arundel, West Sussex BN18 0HY

Tel +44 (0) 1243 55 55 66 Fax +44 (0) 1243 555 660

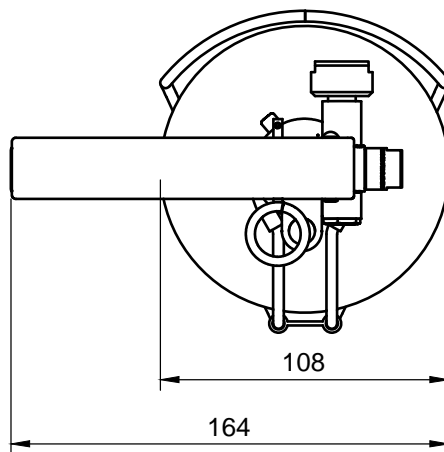
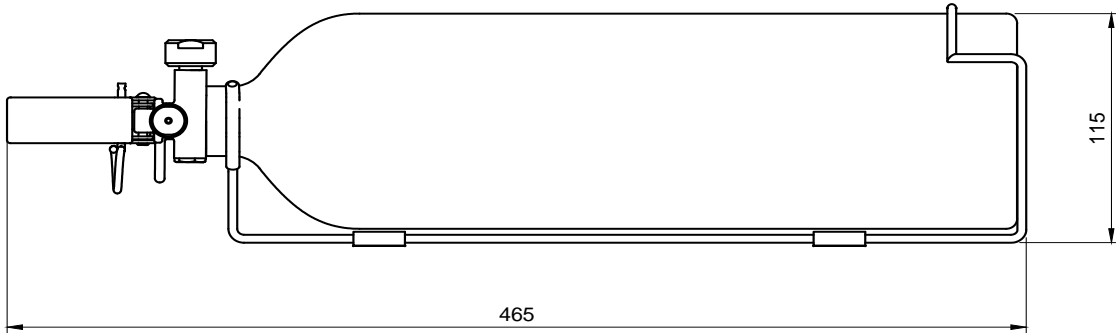
Email sales@f-e-v.co.uk Web www.f-e-v.co.uk

SALES DATA SHEETS 2020/ FOAM HAND HELD / 2.4Ltr AFFF Handheld – Version 1 – June 2020



FIRE SUPPRESSION

FE240HH



Fire Extinguisher Valve Co Ltd
Unit B3 Ford Airfield Industrial Estate, Ford, Nr Arundel, West Sussex BN18 0HY
Tel +44 (0) 1243 55 55 66 Fax +44 (0) 1243 555 660
Email sales@f-e-v.co.uk Web www.f-e-v.co.uk
SALES DATA SHEETS 2020/ FOAM HAND HELD / 2.4Ltr AFFF Handheld – Version 1 – June 2020